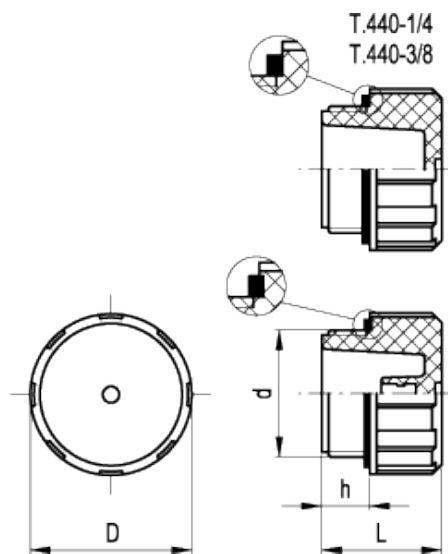


T.440

Plugs



ELESA Original design



technical informations

Material

Polyamide based (PA) technopolymer. Resistant to solvents, oils, greases and other chemical agents.

Colour

Black, matte finish.

Flat packing ring

NBR synthetic rubber.

Maximum continuous working temperature

100°C.

Special executions on request (For sufficient quantities)

Coloured words, marks and graphic symbols can be tampoprinted on the cap.

Standard Elements		Main dimensions				Weight
Code	Description	d	h	D	L	g
157111	T.440-1/4	G 1/4	9	20.5	19	10
157121	T.440-3/8	G 3/8	9	25	21	12
157131	T.440-1/2	G 1/2	11	28.5	25	14
157141	T.440-3/4	G 3/4	12	34.5	27	22
157151	T.440-1	G 1	13	42.5	28.5	28
157161	T.440-1¼	G 1¼	13	52	32	52
157171	T.440-1½	G 1½	13	57.5	34	63



ELESA and GANTER models all rights reserved in accordance with the law. Always mention the source when reproducing our drawings.

STANDARD MACHINE ELEMENTS WORLDWIDE